

## 2UDCP Two Door Floormount Disconnect Enclosures - NEMA 12

ABB Controls, Allen Bradley, Cutler Hammer, General Electric, Siemens I-T-E Max-Flex™, Square D

Disconnect



Floormount Enclosures

### Application

Designed to accept the following disconnect switches and circuit breakers:

- **ABB Controls** flange mounted variable depth operating mechanisms for disconnect switches and circuit breakers.
- **Allen Bradley** 1494F flange mounted disconnect switches and 1494D flange mounted operators for circuit breakers. Allen Bradley 1494V variable depth flange mounted disconnect switches and circuit breaker mechanisms.
- **C-H Westinghouse** Type C361 disconnect switches and operator mechanisms, and type C371 circuit breakers and circuit breaker operating mechanisms. Flex Shaft™ handle operators for circuit breakers.
- **General Electric** Type STDA flange handles and variable depth operating mechanisms for disconnect switches and circuit breakers. Also Spectra-Flex™ cable operators for circuit breakers.
- **Siemens I-T-E Max-Flex™** flange mounted variable depth operating handles for disconnect switches and circuit breakers.
- **Square D** disconnect switches and circuit breakers used with Class 9422 flange mounted variable depth operating mechanisms or cable mechanisms. These enclosures will not receive Class 9422 bracket mounted disconnect devices, Class 9422TG1, or TG2 devices.

### Standards

- UL 508 Type 12
- CSA Type 12
- **Complies with**
  - NEMA Type 12
  - JIC EGP-1-1967 and EMP-1-1967
  - IEC 60529, IP54
- Appropriate components are required to maintain these standards.

### Construction

- Formed from 10 gauge steel with smooth, continuously welded seams.
- Body stiffeners are included in the larger enclosures for extra rigidity.
- 15" floor stands are welded to the enclosure.
- Flange trough Collar (FTC) around door opening excludes liquids and contaminants.
- Heavy duty lifting eyes are anchored into reinforced top corners.
- Removable doors are secured with heavy duty lift-off hinges.
- Formed 10 gauge steel inner panels are provided on collar studs.
- Panel supports are provided.
- Center post is removable, providing easy panel installation.
- Heavy duty three point latching mechanism with heavy duty roller ends is provided for ease of door closing.
- Oil resistant gaskets are permanently secured.
- The left door is the master door.
- Master door handle complete with screw defeater and padlock hasp.
- Slave door handle complete with padlock hasp.
- A mechanical interlock activated by the master door prevents the auxiliary door from being opened first.

- The universal flange cutout provides mounting for disconnect operators by use of the appropriate operator adaptor kit.
- A provision for mounting fluorescent lighting is provided.
- A bonding stud is provided in the door and a grounding stud is provided in the enclosure for each door.
- A literature pocket is provided.

#### Note:

- Disconnect switches, circuit breakers and operators are not provided with the enclosure, and must be ordered separately from the manufacturer.

### Finish

- Door and enclosure are phosphatized and finished in ANSI 61 gray recoatable powder coating on the outside.
- Enclosure interior is finished in white powder coating.
- Inner panel is finished in white powder coating.

### Accessories

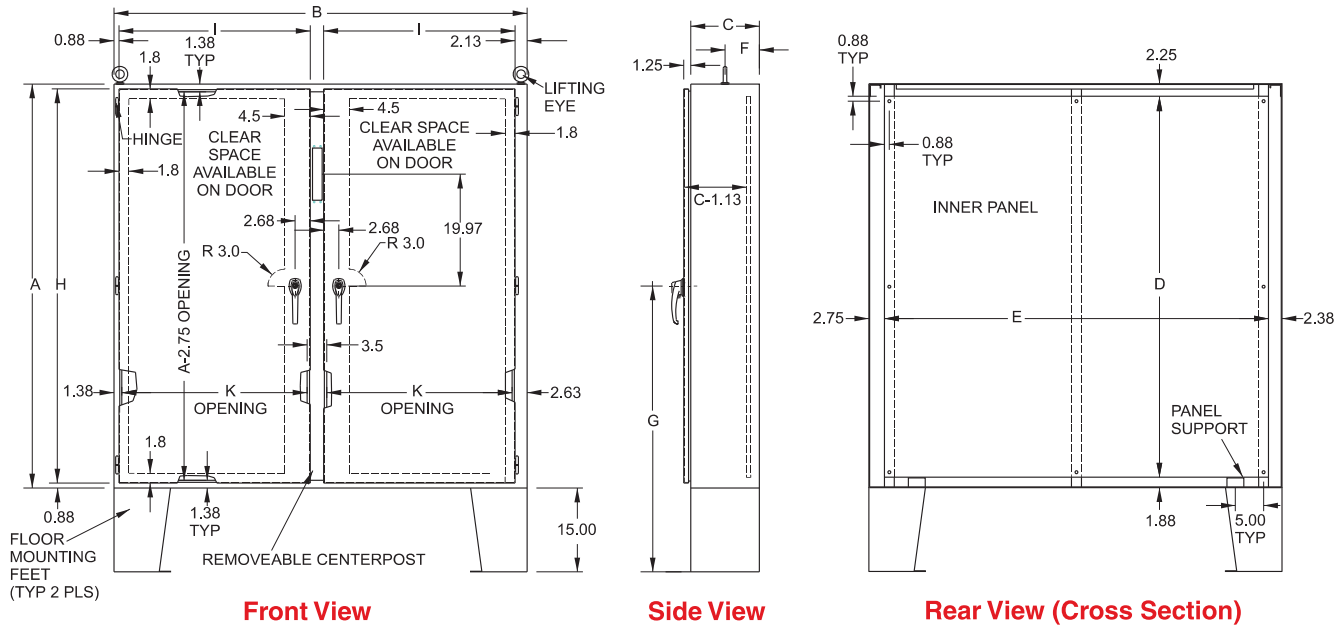
- Additional inner panels...see page **437**
- Air conditioners...see page **349-367**
- Blank adaptor plates...see page **182**
- Operator adaptor kits...see page **182**
- Blowers...see page **392**
- Breather kits...see page **400-401**
- Doorstop kits...see page **453**
- Filter fans...see page **371-384**
- Floor stand kits...see page **453**
- Heaters...see page **393-396**
- Light kits...see page **452**
- Thermostats...see page **397**
- Window kits...see page **449**

Technical references and CAD downloads available at [www.hammondmfg.com](http://www.hammondmfg.com)

All dimensions in inches unless specified otherwise

# 2UDCP Two Door Floormount Disconnect Enclosures - NEMA 12

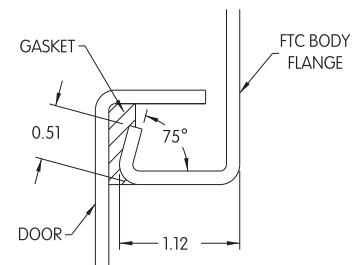
ABB Controls, Allen Bradley, Cutler Hammer, General Electric, Siemens I-T-E Max-Flex™, Square D



Disconnect

Floormount Enclosures

Part No.	Panel Size										Ship Wt lbs.
	A	B	C	D	E	F	G	H	I	K	
2UDCP604912FFTC	60.13	48.88	12.13	56	44	6.06	45.06	59.13	22.5	20.81	547
2UDCP606112FFTC	60.13	60.88	12.13	56	56	6.06	45.06	59.13	28.5	26.81	576
2UDCP726112FFTC	72.13	60.88	12.13	68	56	6.06	51.06	71.13	28.5	26.81	796
2UDCP727312FFTC	72.13	72.88	12.13	68	68	6.06	51.06	71.13	34.5	32.81	929
2UDCP727318FFTC	72.13	72.88	18.13	68	68	9.06	51.06	71.13	34.5	32.81	1009



**FTC Detail**

# 2UD, 2UDF & 2UDCP Two Door Disconnect Enclosures - NEMA 12

ABB Controls, Allen Bradley, Cutler Hammer, General Electric, Siemens I-T-E Max-Flex™, Square D

Disconnect

Floormount Enclosures

## Disconnect Ordering Information

### ABB Controls

#### Disconnect switch:

- Flange operated switch (fusible or non-fusible)
- Shaft:
  - 12.13" deep enclosures use DSFHS-12
  - 18.13" deep enclosures use DSFHS-17
  - 24.13" deep enclosures, platform must be used with shaft (not included)
- Handle: DSFHN-HS12

#### Circuit breaker:

- Circuit breaker: ABB
- Operating mechanism
- Shaft:
  - 12.13" deep enclosures use K7FHD-S12
  - 18.13" deep enclosures use K7FHD-S17
  - 24.13" deep enclosures, platform must be used with shaft (not included)
- Handle mechanism: K7FHD-HS12

### Allen Bradley

#### Bulletin 1494F flange mounted disconnect switch:

- Disconnect switch
- Fuse block adaptor (if required)
- Line and load connectors (if required)

#### 1494D flange mounted circuit breaker operating mechanism, order:

- Circuit breaker: C-H Westinghouse
- Operating mechanism
- Slide mechanism

#### Bulletin 1494V flange mounted disconnect switch, order:

- Disconnect switch
- Operating handle
- Connecting rod (long)
- Trailer fuse block kit (if required)
- Fuse kit (if required)
- Line and load connectors (if required)

#### Bulletin 1494V flange mounted circuit breaker operating mechanism, order:

- Circuit breaker: C-H Westinghouse
- Operating mechanism
- Operating handle
- Connecting rod (long)
- When Allen Bradley 1494V devices are installed in 72" high enclosures with the operating handle mounted on the center post, an optional Allen Bradley channel support kit is recommended.

### C-H Westinghouse

#### File C361 disconnect switch:

- Disconnect switch with an operating mechanism
- Operating handle: C361H1 or C361H3
- In 24.13" deep enclosures, platform must be used with shaft (not included)

#### File C371 circuit breaker operating mechanism with a C-H Westinghouse circuit breaker:

- Circuit breaker
- Operating mechanism
- Long operating rod (if required)
- Operating handle
  - 150A - C371H1 or C371H3
  - 250 through 600A - C371H5 or C371H7

#### Flex-Shaft™ handle mechanism:

- Circuit breaker
- Ccomplete Flex-Shaft™ handle mechanism

### General Electric

#### Disconnect switch:

- Disconnect switch: Type QMR or QMW
- Fuse clip kit or no-fuse kit
- Flange handle: STDA1 or STDA2
- Variable depth operating mechanism
- Extended length drive rod (if required)

#### Circuit breaker:

- Circuit breaker
- Flange handle: STDA1 or STDA2
- Variable depth operating mechanism
- Extended length drive rod (if required)
- An optional General Electric Flange Stiffener Kit (TDSR) is recommended when General Electric Type TDA devices are installed in 72.13" high enclosures with operating handle mounted on centerpost. Use with TDOM1, TDOM2, TDOM3, S100M1A, and S100M3 operating mechanisms.

#### Circuit breaker with Spectra-Flex™ cable operator:

- Circuit breaker
- Flange mounted handle mechanism
- 150 to 600A - STDA1
- SK1200 - STDA3
- Breaker mounted mechanism
- Operating cable

### I-T-E Siemens

#### Disconnect switch:

- Basic switch (right-hand)
- Fuse kit or no-fuse kit
- Flange mounted handle: FHOHS
- Switch operator
- Operating cable:
  - FHOECO36 cable for 12.13" deep
  - FHOECO48 for 18.13" and 24.13" deep enclosures

#### Circuit breaker:

- Circuit breaker
- Pressure wire connectors
- Flange mounted handle
  - 100 to 600 - FHOH
  - 800 to 2000 - FHOHN
- Circuit breaker operator mechanism
- Operating cable:
  - 36" cable for 12.13" or 18.13" deep
  - 48" for 24.13" deep enclosures
- These items are available as a complete mechanism with a 36" operating cable only. Order items separately when using a 48" operating cable.

### Square D

#### Disconnect switch:

- Disconnect switch with operating mechanism
- Universal handle mechanism: Type A-1
- Long operating rod (if required)

#### Circuit breaker:

- Circuit breaker
- Operating mechanism
- Universal handle mechanism: Type A-1
- Long operating rod (if required)

#### Class 9422 Type T disconnect switch with a cable mechanism:

- Disconnect switch with operating mechanism: Class 9422, Type T
- Handle mechanism: Class 9422, type A-1
- Cable mechanism: Class 9422 CFT\_O, 3, 5, or 10 foot

#### Circuit breaker with a cable mechanism:

- Circuit breaker: Square D
- Handle mechanism: Class 9422, type A-1
- Cable mechanism: Class 9422 CFT\_O, 3, 5, or 10 foot
- An optional Square D Channel flange Support Kit (9422-C1) is recommended when some Square D devices are installed in 72.13" high enclosures with operating handle mounted on centerpost.

*Disconnect*

*Floormount Enclosures*