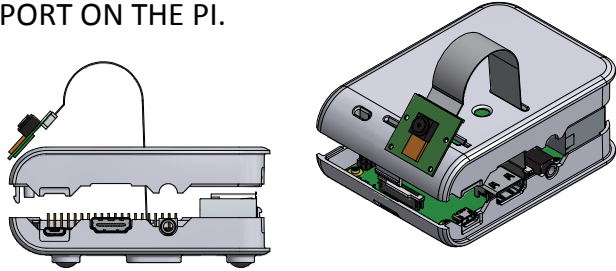
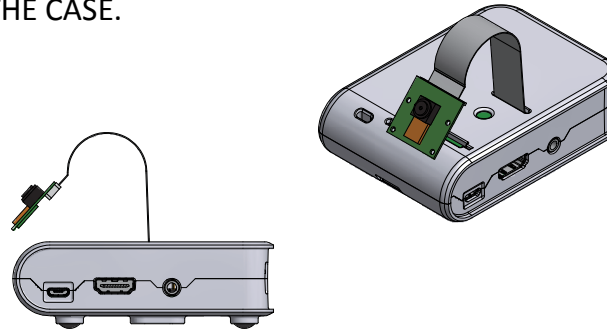


OPTION #1

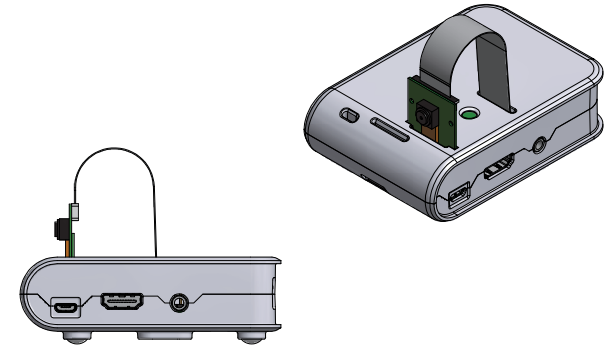
AFTER THE PI BOARD HAS BEEN CONNECTED TO THE BOTTOM PORTION OF THE CASE, TAKE THE CAMERA AND RUN IT THROUGH THE TOP OF THE CASE CONNECTING IT TO THE PROPER PORT ON THE PI.



YOU CAN NOW CLOSE THE CASE, MAKING SURE THE CABLE AND CAMERA ARE CLEAR SO YOU DO NOT DAMAGE THEM WHEN CLOSING THE CASE.

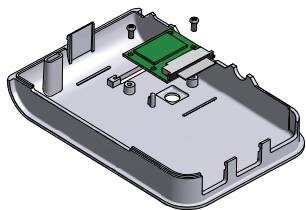


TAKE THE CAMERA AND INSERT IT INTO THE SLOT SO THE CAMERA IS ORIENTATED AS SEEN IN THE PICTURE.

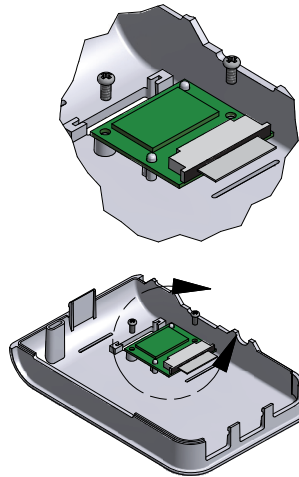


OPTION #2

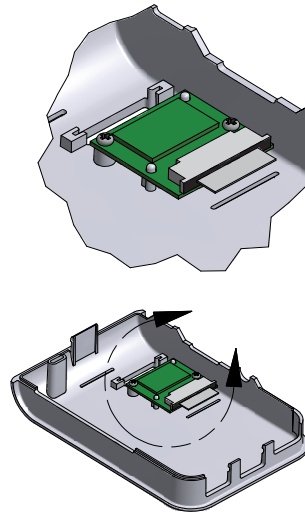
YOU WILL NEED THE TOP OF THE CASE, YOUR PI CAMERA, TWO SELF-TAPPING SCREWS #2X3/16" OR (M2X4.5mm) AND A #1 SCREW DRIVER.



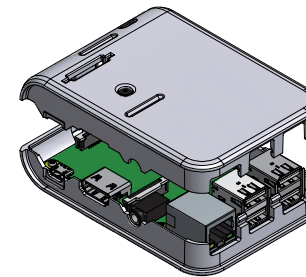
PLACE THE CAMERA ON THE POSTS MAKING SURE THE CAMERA LENS SITS IN THE CUTOUT OF THE CASE.



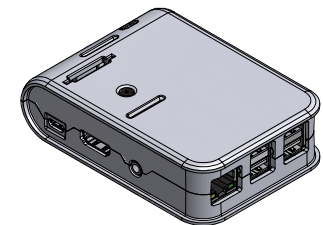
INSTALL THE TWO SCREWS INTO THE OTHER TWO POSTS, SECURING THE CAMERA INTO PLACE.



CONNECT THE CAMERA CABLE TO THE PI



YOU CAN NOW CLOSE THE CASE, MAKING SURE THE CAMERA CABLE IS CLEAR SO YOU DO NOT DAMAGE IT WHEN CLOSING THE CASE.



HAMMOND
MANUFACTURING®

1593HAMPI2

CAMERA ASSEMBLY

www.hammondmfg.com